

# PHILIPS

## RESPIRONICS

### Auto DC Cable Adapter

The Philips Respironics Auto DC Cable adapter can be used to operate Trilogy Series or CoughAssist 70 Series devices from a 12 volt DC power source.

*Note: Not all devices are available in all regions.*

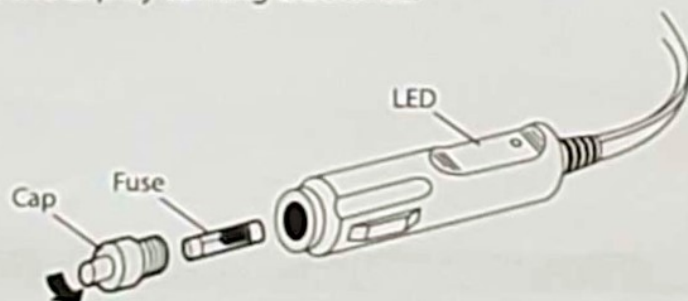
This adapter is fused, filtered, and designed for safe connection to a standard automotive electrical system and plugs into a standard vehicle cigarette lighter socket.

#### Before Use

The Philips Respironics Auto DC Cable adapter is shipped with a 20 amp fuse already installed. You must use a 20 amp fuse with Trilogy Series or CoughAssist 70 Series devices.

#### Changing the Fuse

1. On the cigarette lighter adapter end, unscrew and remove the cable adapter's cap by turning the cap counter-clockwise.
2. Remove the old fuse and install a new 20 amp fuse. Be careful not to dislodge the spring inside the fuse holder.
3. Replace the cap by turning clockwise.



#### ⚠ WARNINGS

*Do not operate a moving vehicle while using Trilogy Series or CoughAssist 70 Series devices. Properly secure the device when used in a portable environment. An unsecured device may become disconnected or become an impact hazard.*

*Serious Shock Hazard. Do not open the Auto DC Cable Adapter. The fuse is the only serviceable part. Refer all other servicing to your home care professional or Philips Respironics.*



#### Auto DC Cable Adapter

#### ⚠ CAUTION

*Only use the Philips Respironics Auto DC Cable Adapter. Use of any other system may cause damage to the device.*



#### Changing the Fuse

#### ⚠ CAUTION

*Do not operate the device from an automotive electrical system while starting or jump-starting the vehicle. Electrical transients during starting may cause improper operation of the device.*

Manufactured for:  
Respironics Inc.  
1001 Murry Ridge Lane  
Murrysville, PA 15668 USA

Respironics Deutschland  
Gewerbestr. 17  
82211 Herrsching, Germany



English

1068221 R05  
TP 03/07/2012

## Connecting the Cable to the Device

1. Plug the connector end of the Auto DC Cable Adapter cord into the DC power inlet on the back of the device as shown below. The power inlet may look different depending on your therapy device.



### CAUTION

Do not use the same power source to operate both the device and any other equipment.

### CAUTION

Do not leave the Auto DC Cable Adapter plugged into the vehicle when the Power Adapter is not in use.

### CAUTION

Use of this system with an automotive battery may drain the battery. Monitor operation to ensure there is sufficient power remaining to start the vehicle.

### CAUTION

Before connecting the power source, shut off and disconnect any oxygen sources connected to the device.

## Use with a Cigarette Lighter Socket

1. Turn OFF the device.
2. Remove the cigarette lighter from its socket as shown below.
3. Plug the cigarette lighter adapter end of the Auto DC Cable Adapter cord into the cigarette lighter socket as shown. The LED on the cord will light upon successful connection.
4. Turn the device on, and verify proper operation.



**NOTE:** The Auto DC Cable Adapter automatically shuts down the output if an automotive transient condition is detected.

## Specifications

Specification	Description
Cord Length	1.83 meters
Voltage	<b>Input:</b> 13.5VDC 5A <b>Output:</b> 13.5VDC 5A
Electrical Requirements	<b>Battery:</b> 12 VDC <b>Power Consumption:</b> Actual power consumption will vary according to prescription pressures and breathing patterns. The lower the prescription, the less power required. <b>Fuse Replacement:</b> Only use a 20 amp fuse.
Operating Temperature	<b>Range:</b> 5 ~ 40 degree C